



hp MiniKey

Coding & Marking made simple and fast.
A compact printer with integrated printheads,
ideal for integration in packaging lines.

MiniKey MKHP4

 Inkjet Technology

MiniKey printer based upon HP TiJ 2.5 technology

The HP 2.5[®] MiniKey is based upon reliable HP TiJ 2.5 technology which offers consistent, high quality, fast printing. The printer's user-interface is so easy to use, that it requires very little or no training.

The MiniKey is a very low-cost printer, yet powerful with all necessary functions available.

An 'All-in-One' printer

The MiniKey is an 'out of the box' unit. Place an ink cartridge in the head, connect to power and print instantly by pushing a button.

new layouts are easily made straight from the keyboard or loaded from USB key or via LAN or RS232 connection. The basic unit comes with a 1/2" printhead with built-in product sensor. The MiniKey can control up to 2" print height.

Trouble free user interface

A 320x240 pixel graphical colour display showing intuitive icons ensures a clear understanding when choosing functions from the keyboard.

Choose from 1/2"-2" printheight

The HP 2.5[®] MiniKey is available with an integrated 1 or 2-pen printhead mounted on the side of the unit. instead – or if additional print height is required – the MiniKey can be delivered with remote printheads of 1 or 2 pens.

Having two printheads enables double-sided printing.



Advanced administrator options in software

A flexible user level management can guarantee that correct data is printed. you are also able to grant user rights as desired and protect by a unique password. in addition content may be filled by a user prompt which optionally must be validated by a different user for guaranteed accuracy.

The controller is preloaded with different menu languages, as well as localized month- and day names.

Print at breakthrough speeds of up to 300 m/min (984 ft/min) in 300 x 150 dpi

- Graphics
- Text (alphanumerical)
- Counters
- Shift codes
- Date & Time (Real-Time & Adjusted)
- LineAR & 2D BARCODEs*
- Windows fonts



hp MiniKey

Technical Details

MiniKey CONFIGURATIONS



MiniKey WITH inTeGRATeD
2-Pen PRinTHeAD & 2-Pen ReMOTe
PRinTHeAD



MiniKey W 1-Pen inTeGRATeD (RIGHT)



MiniKey W 1-Pen inTeGRATeD (RIGHT)



1-Pen ReMOTe



2-Pen ReMOTe (RIGHT)



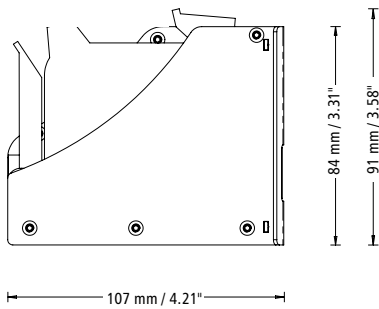
2-penremot e(lef T)



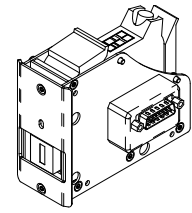
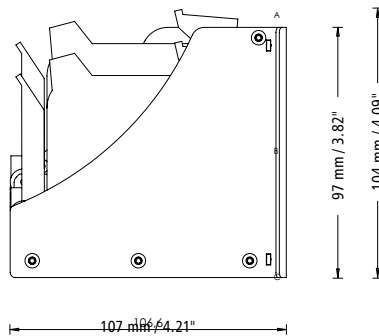
hp MiniKey

Technical Details MiniKey DRAWINGS

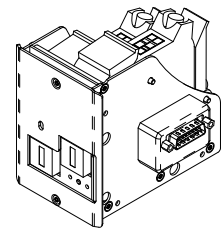
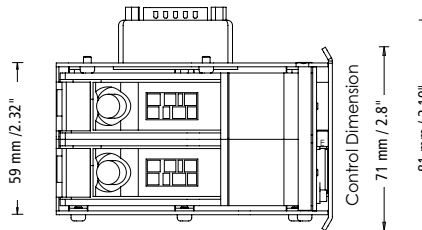
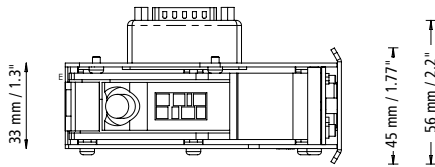
1-Pen ReMOTe



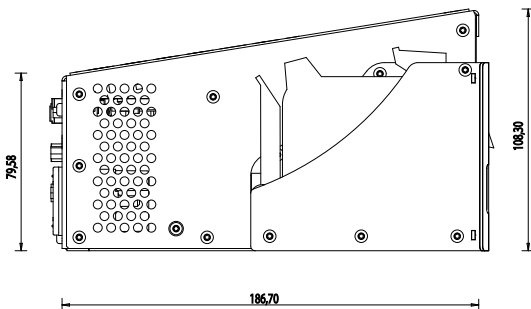
2-Pen ReMOTe



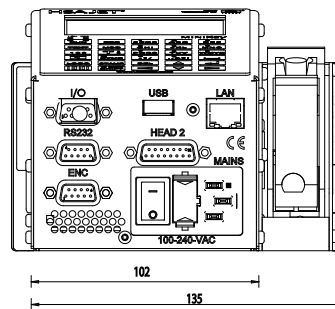
1-Pen ReMOTe



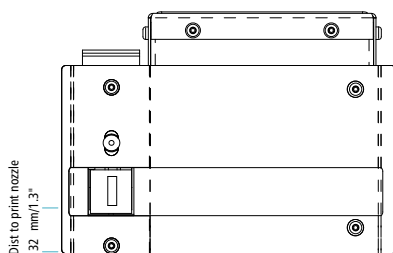
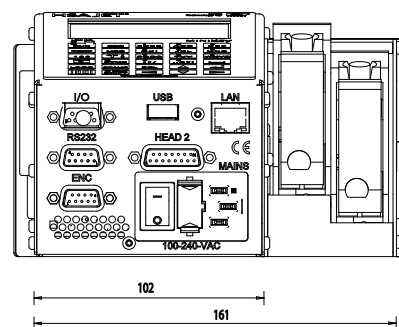
2-Pen ReMOTe



COMPACT MK 1-Pen



COMPACT MK 2-Pen



Technical Details

HP 2.5® MiniKey MKHP4

Technology

HP TIJ 2.5

Printhead frequency

15 KHz

Print height

Up to 50.8 mm / 2"

Printheads

1- or 2-pen printheads

Printhead distance

0.5-2.0 mm (nozzle to print surface)

Voltage

100-240 VAC

Memory

2 GB internal

Screen

3.5" colour display

Design software

MiniDraw (PC) or on controller

Software menu language

english (multiple languages)

Print functionalities, eg.

User prompt

User defined print log

Print features

Variable DPi

Left/Right, Upside-down,

Other side

Mirrored

Layout features

Max. length 65536 px

(~277 cm in 600 DPi)

Object rotation in 90 deg interval

Works with mm/inch/point/pixel

Remote controlling

Start/Stop

exchange job

Change field content per print

Change print preferences/parameters

Interface

RS232 (serial)

ethernet (LAN)100 Mbit

USB 2.0

encoder input 3-33 V (SUB D9)

Product Sensor 3-33 V (SUB D9)

Signals

Low ink signal

Print signal

Print message signal

Complies to

Ce directives

Housings

Stainless steel

Weight

MK controller: 1.30 kg / 2.85 lbs

MK w 1-pen: 1.72 kg / 3.78 lbs

MK w 2-pen: 1.88 kg / 4.13 lbs

MK 1-pen printhead:

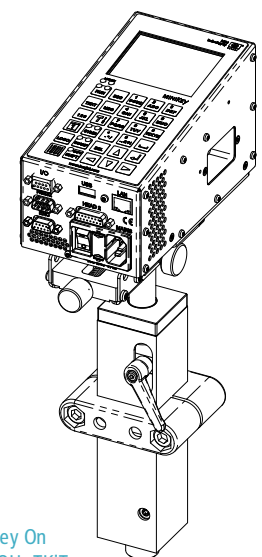
MK 2-pen printhead: 0.49 kg / 1.07 lbs

Accessories

- Telescope mountkit
- external sensor
- encoder
- Mountings (inocon 53 mm)

Vertical resolution (DPI)	Horizontal resolution 75-2400 DPI (variable) speed examples (m/min)			
	75 DPi	300 DPi	600 DPi	2400 DPi
600 DPi	304	76	38	10
300 DPi high speed	608	152	76	19
300 DPi (row A)	304	76	38	10
300 DPi (row B)	304	76	38	10

Basic Unit	Head 1 Remote	Head 2 Remote
Compact MK 1-pen		1-pen
		2-pen
Compact MK 2-pen		1-pen
		2-pen
MiniKey (without attached printhead)	1-pen	1-pen
		2-pen
	2-pen	1-pen
		2-pen



BASiC MiniKey On
TeLeSCOPE MOUnTKIT

Note:

The MiniKey only works with MK printheads.

